

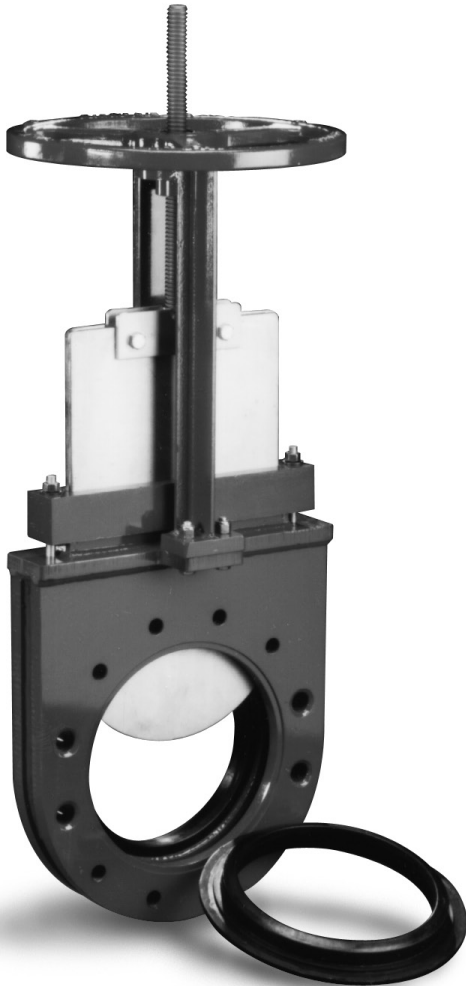
Red Valve Company, Inc.®

# FLEXGATE SLURRY KNIFE GATE VALVE

---

## Installation, Operation and Maintenance Manual

---



The Red Valve Flexgate Slurry Knife Gate Valve is a 100% full bore, truly bi-directional valve designed for tough slurry applications. The Flexgate features heavy-duty elastomer seat cartridges which provide droptight closure and are replaced **WITHOUT ANY VALVE DISASSEMBLY**, for ease of maintenance.

The Flexgate is designed to meet MSS-SP81 face-to-face dimensions, so that it can be readily placed in service replacing conventional knife-gate products.

Flush ports are provided to allow the valve to be flushed with water and/or air. With a variety of actuators available, limit switches, and other options, the Red Valve Flexgate can be built to fit your special applications.

### **IMPORTANT**

Please take a moment to **review this manual. Before performing any maintenance on the valve be sure the pipeline has been de-pressurized.** The improper installation or use of this product may result in personal injury, product failure, or reduced product life. Red Valve Co., Inc. can accept NO liability resulting from the improper use or installation of this product. If you have any questions or problems, please call the customer service department at (412) 279-0044. We appreciate your comments. And thank you for choosing Red Valve.

# INSTALLATION

1. Check flange faces of pipe for rough /damaged areas. Pipeline flanges must be flat, properly spaced, and parallel to achieve proper seal. DO NOT mate flexate valves directly to expansion joints or other flexible connections.
2. The rubber seat acts as a gasket and separate flange gaskets are normally not required. Installations where the mating flange has a "slick" surface may require a metal serrated or combination metal gasket serrated gasket and contractor supplied standard gasket materials to assist in creating a seal. All gaskets used on "LOW TORQUE" flange material such as FRP and PVC should be approved by the pipe manufacturer for compatibility. (Often the torque rating of the composite mating flange may be less than the minimum torque required to install the valve)
3. Actuate valve to the full CLOSED position for installation. Lubricate seat cartridges and gate liberally with a grease compatible with the seat material. Silicone grease is recommended for all seat materials.
4. Insert seat cartridges. Flange gaskets are not required. Make sure that cartridges are of the correct size and properly centered on valve flange.
5. Installing Flange Bolts:  
**CAUTION: Only use flange bolts of the correct length in such manner that the BOLTS CAN NOT BOTTOM OUT IN TAPPED HOLES.** The use of bolts which are too long and bottom out in tapped holes can distort body, create a leak path and cause permanent valve damage. Red Valve recommends the use of studs in the chest area of the flexgate in lieu of bolts.

Tighten each bolt uniformly on both sides of the valve (upstream and downstream side of the valve). This will distribute compression evenly on seat ring. Torque all the flange bolts and/or studs in a star pattern (as shown in Figure 1), first to 50% of tabulated values, then retorqued to

**\* When your Red Valve order arrives, check the contents carefully to assure no damage or loss occurred in transit.**

100% of 100% of tabulated values. If greater torque is required, continue retorquing in increments of 50% of tabulated values. Improper or uneven torquing of flange bolts can cause premature seat cartridge failure and a leak between the mating flange and valve. Use of high quality anti-sieze compound on all bolt and/or stud thread is recommended.

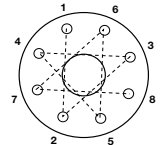


Figure 1

6. Apply grease liberally to stem.
7. Some leakage may occur at packing when line is pressurized. The factory does not tighten packing to overcome such leakage, as this can shorten packing life when valve is in storage. Simply tighten the packing nuts until the leakage ends.
8. Over tightening flange bolts to stop a leak can fracture or distort a composite flange such as a FRP or PVC flange. Steel back-up rings should be considered to try to seal a flange against a leak. Caution should be used to not over-torque FRP or PVC flanges when using steel back-up rings. Consult with the pipe and/or flange manufacturer.
9. Fill out and attach the enclosed VALVE MAINTENANCE CARD to the valve. This has been provided for maintenance convenience.

**CAUTION: VALVES EQUIPPED WITH THE FLUSHPORT DESIGN CAN BE PLUGGED OR PIPED TO A SUITABLE DRAIN. REMOVAL OF PLUG(S) WILL CAUSE LEAKAGE OF LINE MATERIALS. CONSULT YOUR SYSTEMS ENGINEER FOR PROPER PLUMBING OF FLUSH-PORT FOR YOUR INSTALLATION.**

**NOTE:** It is recommended that valves with actuators be installed in the vertical position. If actuated knife gates must be installed horizontally, it is recommended that the actuator be supported with a hanger or bracket.

**NEVER...**  
Install with gate up.

**NEVER...**  
Use bolts which bottom out in body.

**DO...**  
Lubricate seats and gate.

**DO...**  
Tighten bolts evenly.

# OPERATION

## ACTUATORS:

All actuators are furnished completely assembled and fully operational. All valve accessories and instrumentation are properly set and calibrated at the Red Valve factory.

## MANUAL ACTUATORS:

All handwheel, chainwheel, and bevel gear operators turn clockwise to close. The gate stops moving when the valve is fully opened or closed.

## BEVEL GEAR:

Bevel gears operate the same as the standard handwheel. The handwheel is turned clockwise to close and counter clockwise to open.

## CHAINWHEEL :

Chainwheels can be furnished on both standard valves and valves with bevel gears. The chain must be fed through the guides and over the spokes around the outside diameter of the rim. The ends of the chain are then joined with a connecting link.

## ELECTRIC ACTUATORS:

Electric Actuators come completely operational, with limit and torque switches set. Please refer to the individual actuator manuals for additional operation or maintenance information.

## CYLINDER ACTUATORS:

Red Valve Cylinder Actuators operate from clean lubricated plant air. Cylinder Actuators are available in three basic configurations. Air-To-Open / Air-To-Close, Fail-Safe Open, and Fail-Safe Closed.

## ATO/ATC:

A single 4-way valve is used to operate this standard cylinder style. The open air supply is connected to the lower cylinder head, and close air source is attached to the upper cylinder. Each side of the cylinder must be vented when the other side of the cylinder is pressurized, in order for the cylinder to function.

## FAIL-SAFE CLOSED:

A large diameter spring on the top of the cylinder piston provides the force to close this type of cylinder configuration. Air is only supplied to the BOTTOM cylinder head for valve opening. The top cylinder head must remain vented at all times. When the bottom of the cylinder is pressurized with plant air, the valve opens. The valve will close automatically when the pressure is vented out of the bottom of the cylinder.

## FAIL-SAFE OPEN:

A large diameter spring on the bottom of the cylinder piston provides the force to open this type of cylinder configuration. Air is only supplied to the top cylinder head for valve closing. The bottom cylinder head must remain vented at all times. When top of cylinder is pressurized with plant air, valve closes. Valve will open automatically when pressure is vented out through top of cylinder.

## CAUTION:

Fail Safe cylinders contain large diameter springs in a compressed state. To avoid risk of serious injury, never attempt to disassemble fail-safe cylinders, NEVER cut, bend, or alter the protruding threads at the top of the cylinder. Fail-safe cylinders will actuate AUTOMATICALLY with an interruption of supply air. To avoid risk of injury from unexpected actuation, always close cylinder supply air prior to inspecting, lubricating, or servicing valve.

## WATER HAMMER EFFECT:

Too rapid of closure of any valve can create a forceful and potentially damaging water hammer effect. To minimize the risk of water hammer related damage, Red Valve Co., Inc. recommends that the closure rate of the valve be controlled by restricting the exhaust rate of cylinder pressure. The addition of a needle valve in cylinder head ports will enable you to control closure rate for your service condition.

# MAINTENANCE

## INSPECTION:

Valves should occasionally be inspected for damage and wear. The inspection period should be determined by the severity of the service and environment. Valves should be inspected every 90 days for normal applications, or more frequently for severe applications. If valves are periodically inspected and preventive maintenance done, the valve will last longer and operate better.

## CAUTION:

Do not remove any valve parts or bolting with pressure in the line. It is easy to inspect the valve for obvious problems. **Several items should be checked:**

- Check the stem for wear and any damaged threads. If threads are damaged, use a small file to remove small burrs on the thread.
- Check the stem bushing for small pieces of bronze which may have worn away. If excess material is noticed the stem bushing should be replaced.
- Check the exposed portion of the gate when it is in the full open position for excessive wear. If the gate is excessively worn, the gate should be replaced. Always keep the valve well lubricated and the gate free of excess buildup.

## RESILIENT SEAT REPLACEMENT:

1. Make sure there is no pressure in the pipeline.
2. Remove the valve or remove all bolting except one bolt nearest the horizontal centerline and swing the valve out of the line.

## PACKING REPLACEMENT:

1. Be sure that there is no pressure in the valve.
2. Close the valve. Disconnect the stem from the gate by removing the pin or bolts from the gate.
3. Raise the stem or piston rod. Open pressure must be maintained on fail close cylinders.
4. Remove the bolts from the packing stuffer. Remove the packing stuffer. Remove the old packing. NOTE: Be very careful not to damage the gate or lining.
5. Insert one ring of packing around the gate. Packing should be scarf cut (on a 45° angle), to make the packing seal better. Great care must be taken to make sure that the gate is flush against the seat. NOTE: If the packing is cut straight across, be sure that the ends of the packing butt together and do not overlap. Alternate the cut ends of the packing.
6. Tamp the packing to the bottom of the gland. Use a wood, plastic or brass rod and be sure not to scratch the gate or wall of the gland. NOTE: Be sure that the gate is against the seat, and that packing contacts wall of the gland and the gate all the way around.
7. Repeat steps 5 and 6 with another strip of packing. The end joints of the packing should be alternated to reduce the possibility of leakage.
8. Install the rubber secondary seal and push it to the bottom of the gland.
9. Repeat steps 5 and 6 with the third and final layer of packing.
10. Install the packing stuffer and tighten the bolts evenly. The bolts should not be completely tightened. Reconnect the gate to the actuator.
11. Operate the valve several times to break in the packing. Be sure that the gate is against the seat. Fully tighten the packing bolts.

## TROUBLESHOOTING GUIDE

### SYMPTOM:

#### VALVE BINDS or DIFFICULTY TURNING HANDWHEEL

- Examine stem & bushing for burrs or wear.
- Clean build-up on gate, flush body
- Lubricate stem & gate
- Remove seat cartridges & inspect for damage
- Make certain no in-line obstructions exist

### SYMPTOM:

#### VALVE LEAKS AT PACKING

- Tighten packing gland
- Replace packing as needed
- Inspect gate and seat cartridges for wear or damage

### SYMPTOM:

#### VALVE DOES NOT CHECK FLOW WHEN CLOSED

- Check for obstruction in line
- Inspect gate and seat cartridges for build-up, wear, or damage

## STORAGE

If your Flexgate Slurry Knife Gate Valve is to be stored for a period of time prior to installation, the following storage guidelines will help preserve your valve and assure a trouble free installation.

1. Store resilient seat cartridges in a clean, cool and dry location. Avoid exposure to light, electric motors, dirt or chemicals.
2. Store valve in a clean, dry location. Make certain that valve and actuator are well supported. Do not stack other items on valve.
3. **Grease stem, gate, and flange holes liberally to inhibit corrosion.**

**MAKE CERTAIN THAT SEAT CARTRIDGES, AND THIS MANUAL ARE STORED AND READILY AVAILABLE AT TIME OF INSTALLATION.**

### SYMPTOM:

#### RESILIENT SEAT CARTRIDGES ARE SOFTENED OR DETERIORATED

- Consult Red Valve for chemical compatibility of resilient seat cartridges.

# INSTALLATION, OPERATION & MAINTENANCE SUPPLEMENT

NOMINAL VALVE SIZE (INCHES)	FLANGE BOLT SIZE	BOLT LENGTH TO USE (INCHES)	MINIMUM BOLT TORQUE (FT. POUNDS)
3	5/8-11	1.63	20
4	5/8-11	1.63	20
6	3/4-10	1.63	20
8	3/4-10	2.00	30
10	7/8-9	2.00	35
12	7/8-9	2.00	50
14	1-8	2.25	65
16	1-8	2.50	35
18	1 1/8-7	2.50	45
20	1 1/8-7	3.00	55
24	1 1/4-7	3.25	60
30	1 1/4-7	3.50	60
36	1 1/2-6	3.75	60

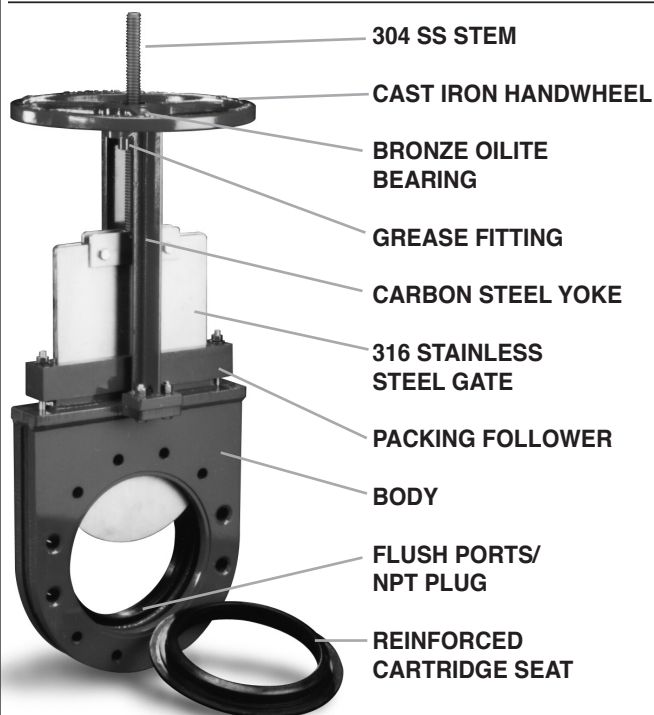
Torque values are suggested minimum values.

Torque all flange bolts in a star pattern. First to 50% of tabulated values, then retorque to 100% of tabulated values. If greater torque is required, continue retorquing in increments of 50% of tabulated values.

Variables such as surface finish on bolt threads, type of anti-sieze compound used, and surface finish of the mating flanges all have an effect on the minimum torque required to obtain a leak tight flange seal.

Use of a high quality anti-sieze compound on all bolt threads is recommended.

## PART NOMENCLATURE FLEXGATE



## RED VALVE WARRANTY

WARRANTIES - REMEDIES - DISCLAIMERS - LIMITATION OF LIABILITY  
Unless otherwise agreed to in writing signed by Red Valve, all Products supplied by Red Valve will be described in the specifications set forth on the face hereof.

THE WARRANTIES SET FORTH IN THIS PROVISION ARE EXCLUSIVE AND IN LIEU OF ALL OTHER WARRANTIES WHETHER STATUTORY, EXPRESS OR IMPLIED (INCLUDING ALL WARRANTIES OF MERCHANTABILITY AND FITNESS FOR A PARTICULAR PURPOSE AND ALL WARRANTIES ARISING FROM COURSE OF DEALING OR USAGE OR TRADE).

Red Valve Products are guaranteed for a period of one year from date of shipment, against defective workmanship and material only, when properly installed, operated and serviced in accordance with Red Valve's recommendations. Replacement for items of Red Valve's manufacture will be made free of charge if proved to be defective within such year; but not claim for transportation, labor or consequential damages shall be allowed. We shall have the option of requiring the return of the defective product to our factory, with transportation charges prepaid, to establish the claim and our liability shall be limited to the repair or replacement of the defective product, F.O.B. our factory. Red Valve will not assume costs incurred to remove or install defective products nor shall we incur backcharges or liquidated damages as a result of warranty work. Red Valve does not guarantee resistance to corrosion erosion, abrasion or other sources of failure, nor does Red Valve guarantee a minimum length of service, or that the product shall be fit for any particular service. Failure of purchaser to give prompt written notice of any alleged defect under this guarantee forthwith upon its discovery, or use, and possession thereof after an attempt has been made and completed to remedy defects therein, or failure to return product or part for replacement as herein provided, or failure to install and operate said products and parts according to instructions furnished by Red Valve, or failure to pay entire contract price when due, shall be a waiver by purchaser of all rights under these representations. All orders accepted shall be deemed accepted subject to this warranty which shall be exclusive of any other or previous warranty, and shall be the only effective guarantee or warranty binding on Red Valve, anything on the contrary contained in purchaser's order, or represented by any agent or employee of Red Valve in writing or otherwise, notwithstanding implied warranties. RED VALVE MAKES NO WARRANTY THAT THE PRODUCTS, AUXILIARIES AND PARTS ARE MERCHANTABILITY OR FIT FOR ANY PARTICULAR PURPOSE.